



JOLLY 20 Plus

Product Data **Mobile radiographic unit**

X-RAY GENERATOR

High Frequency monobloc

Maximum power	20 kW (200 mA - 100 kV @ 100 msec)
Maximum voltage	125 kV
Maximum mAs	252 mAs
Maximum mA	300 mA
Monobloc thermal capacity	600 kJ (800 KHU)
Monobloc maximum thermal dissipation	55 W
Frequency	40 kHz
kV ripple	< 2%
Leakage radiation (IEC 601-1-3)	< 1 mGy / h
Total filtration	> 2.5 mm Al @ 75 kV

X-RAY TUBE

Rotating X-ray tube

KL 65

Focal spot size	0.6 mm - 1.3 mm
Maximum voltage	130 kV
Anode speed	3000 r.p.m.
Anode material	RTM
Anode angle	15°
Anode maximum heat dissipation	107 KHU
Maximum continuous anode heat dissipation	300 W

CONTROL CONSOLE

Microprocessor controller console

Display	<ul style="list-style-type: none"> • Type: 5.7" Colour TFT LCD touch screen display • Resolution: 320 × 240 pixels
Alarm	Acoustic and luminous X-ray emission alarm
APR	Languages available: <ul style="list-style-type: none"> • Italian • English • Spanish • French • Russian • German • Bulgarian • Vietnamese • Polish • Turkish

OPERATION MODE

3-point operation (kV – mA – time)

kV selection: from 40 to 125 kV [1kV step]

2-point operation (kV – mAs)

mA selection: from 25 mA to 300 mA [11 steps]
 Time selection: from 0.001 sec to 6,3 sec [35 steps]
 kVp selection: from 40 kV to 125 kV [1 kV step]
 mAs selection: from 0.2 mAs to 252 mAs [26 steps]

Anatomical programming
 Compensation levels
 Film screen selection
 Output

510 stored techniques
 5 patient's thickness compensation levels
 3 speeds
 RS232 for software updating

EXPOSURE CONTROLS

Two modalities

With two push buttons on control console

Two-step hand switch complete of spiral cable extendable up to 3.8 meters.



BMI
BIOMEDICAL INTERNATIONAL



JOLLY 20 Plus

Product Data **Mobile radiographic unit**

SAFETY AND PROTECTION

Automatic control and protection of the filament current

Over current protection
 Overvoltage protection
 X-ray tube overload protection
 Monobloc kHU automatic survey
 Errors description

COLLIMATOR

Manual collimator

Adjustment from 0x0 to 43x43 cm at 1 m focal distance (FFD)
 High intensity lamp (160 lux) for X-ray field simulation and automatic switch off after 30 sec.
 Retractable tape measure for FFD measurement
 $\pm 90^\circ$ collimator rotation

MOBILE STAND

Counterbalanced unit

Antistatic rubber wheels
 Dead-man operated parking brake
 Variable focus-floor distance from 425 mm to 2000 mm
 Monobloc yoke support rotation: $+90^\circ / -90^\circ$
 Monobloc rotation in the yoke: $-57^\circ / +167^\circ$
 Cassette bin for storing up to nr. 6 radiographic cassettes 35x43 cm size (14x 17 inches)
 Overall dimensions in transport position 106 x 68 x 158 (H) cm
 Weight: 165 kg

POWER SUPPLY

Voltage: 230 Vac single phase

Frequency: 50 Hz (60 Hz on request)
 Current consumption: 16 A maximum
 Total line resistance: 0.40 Ohm maximum
 Automatic line compensation: $\pm 10\%$

On request:
 Voltage: 115 Vac single phase
 Frequency: 60 Hz
 Current consumption: 25 A maximum
 Automatic line compensation: $\pm 10\%$



BMI
 BIOMEDICAL INTERNATIONAL

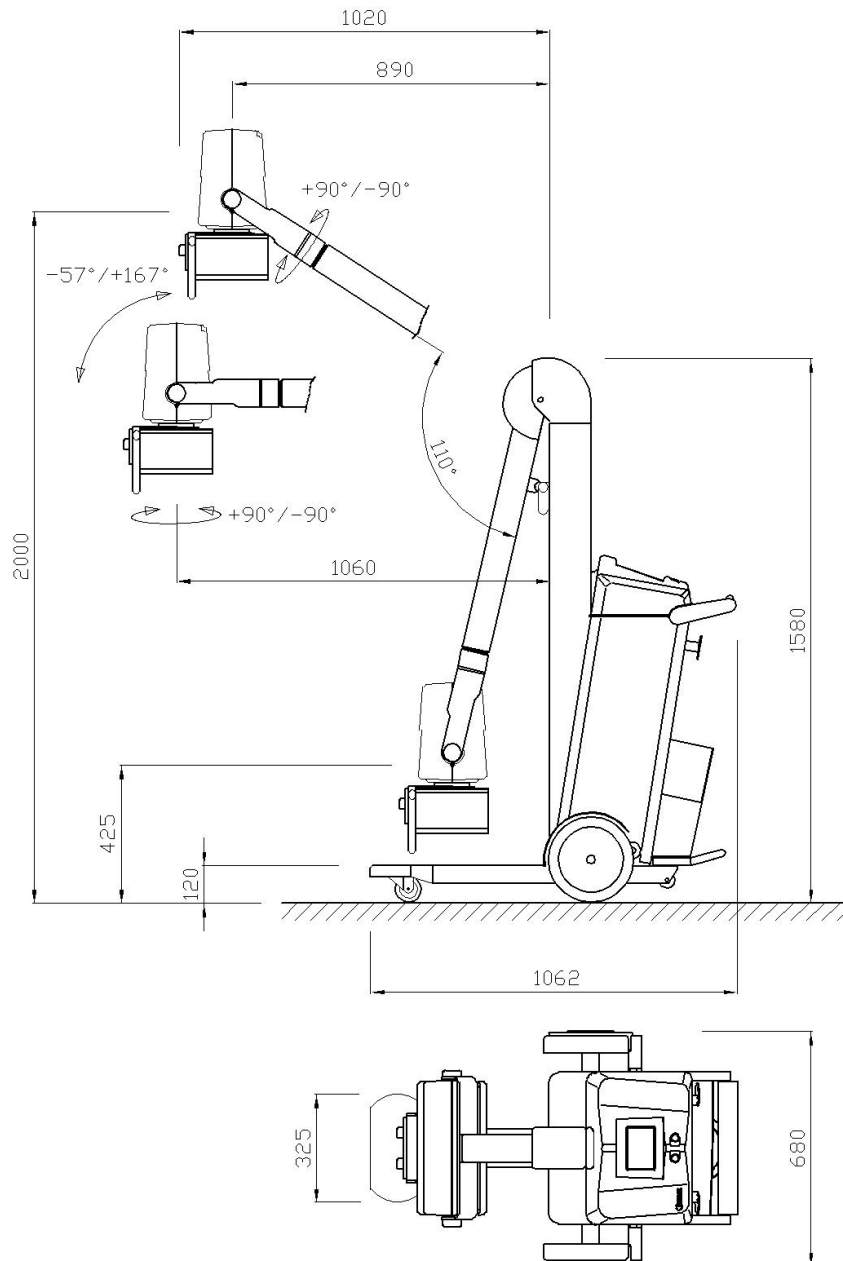


JOLLY 20 Plus

Product Data **Mobile radiographic unit**



DIMENSIONS



ESSE 3 Via Garibaldi 30
14022Castelnuovo D.B. (AT)
tel +39 011 99 27 706
fax +39 011 99 27 506
e-mail esse3@chierinet.it
web : www.esse3-medical.com

